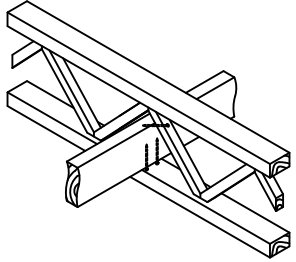


Method 1 (good)

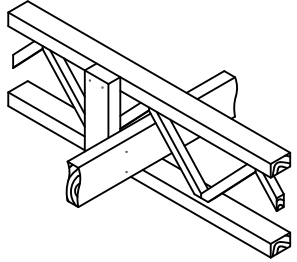
Secure strongback with 2 nails* through the bottom chord and 1 nail* through the diagonal web.



STRONGBACK (at mid span)

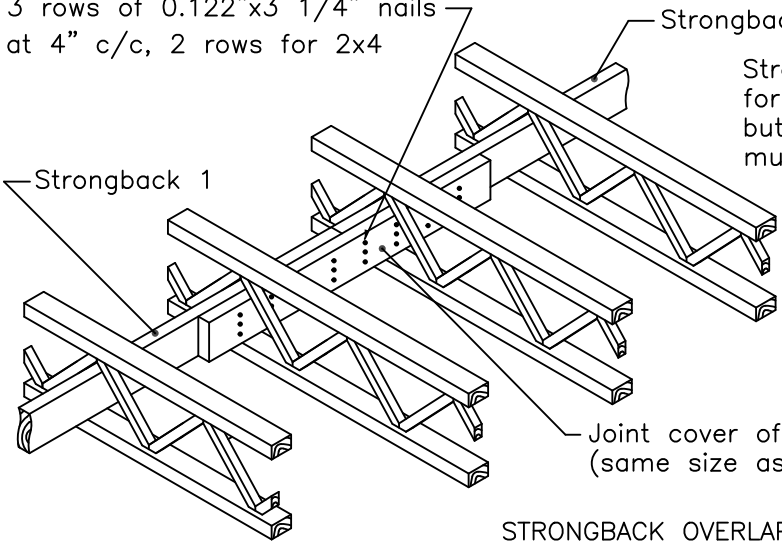
Method 2 (better)

Secure vertical (2x4) with 2 nails* to both chords and strongback to vertical with 2 nails*.



* gun nails 0.122" x 3 1/4" or 3" screws

3 rows of 0.122"x3 1/4" nails at 4" c/c, 2 rows for 2x4



Strongback 2

Strongback can be cut between 2 joists for ducts or pipes if needed, but at least 3 consecutive joists must remain attached together.

****Use dry lumber for strongback****

Joint cover of 32", center on splice (same size as strongback 1 and 2)

STRONGBACK OVERLAP

DETAIL No.5