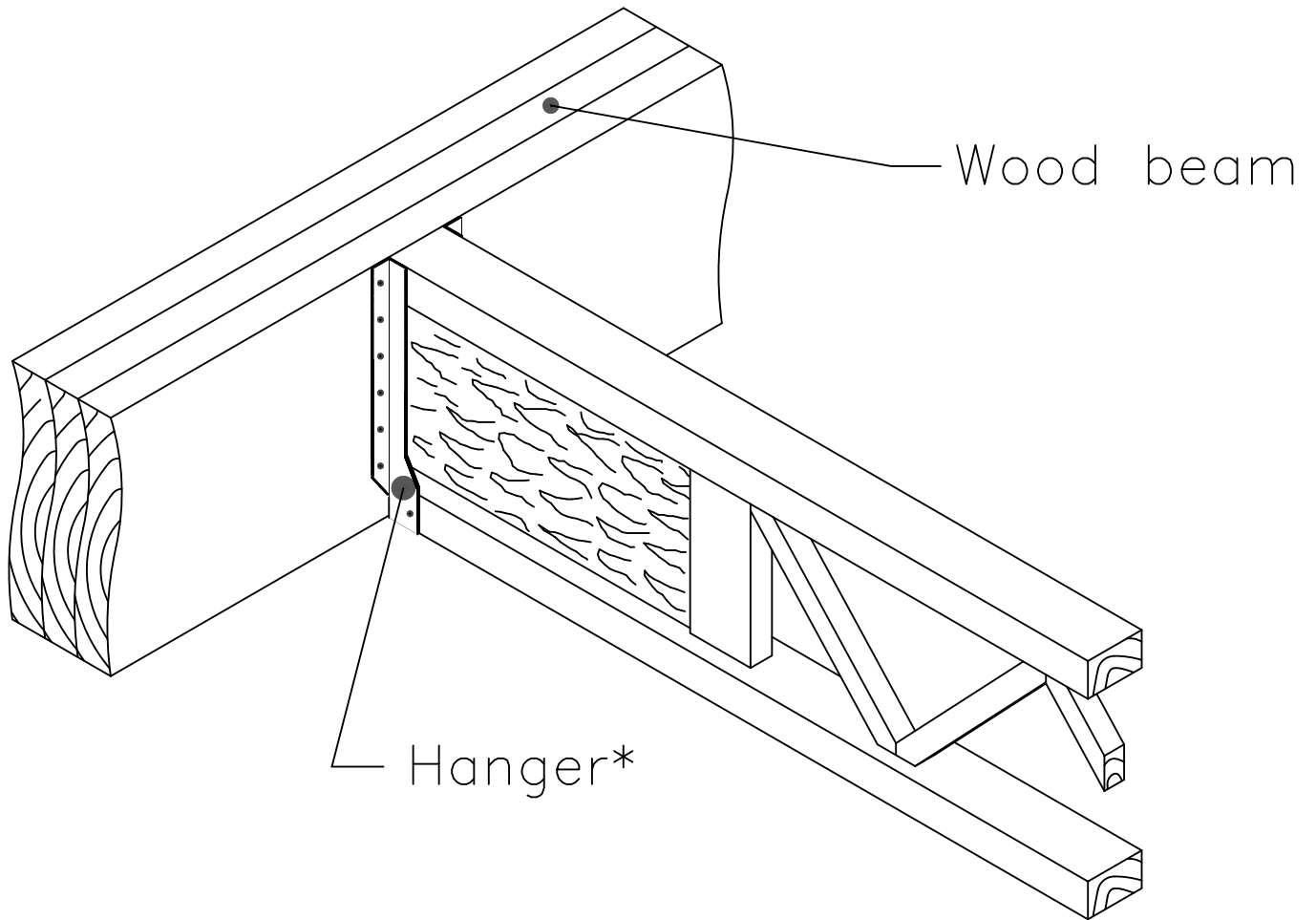


\* top mount or face mount hangers  
Nailing as per hanger manufacturer



JOIST WITH HANGER

DETAIL No.4P