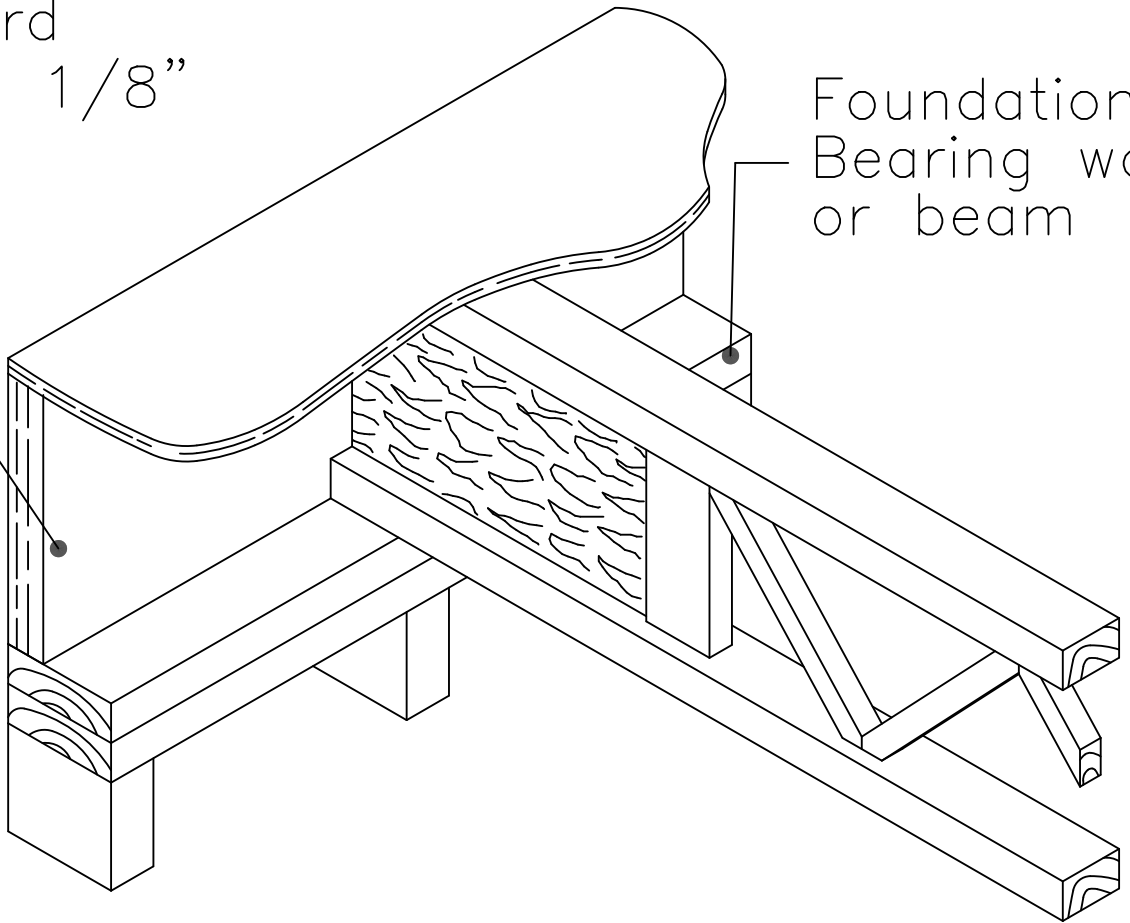


Rimboard
OSB 1 1/8"

Foundation or
Bearing wall
or beam



BEARING WALL

DETAIL No.2P