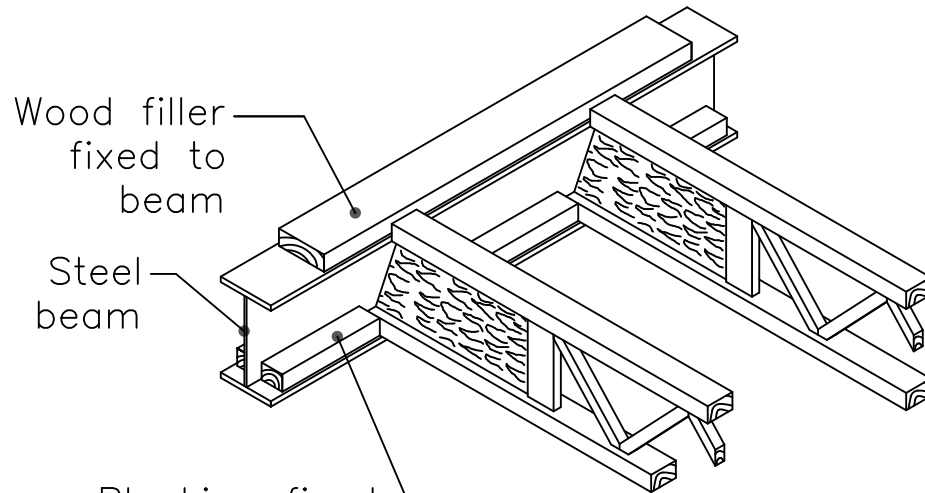


Fix joist to the beam with screws and GLUE*.

Predrill steel beam to insert screws.

Predrill joist at bearing to prevent bottom chord to split.

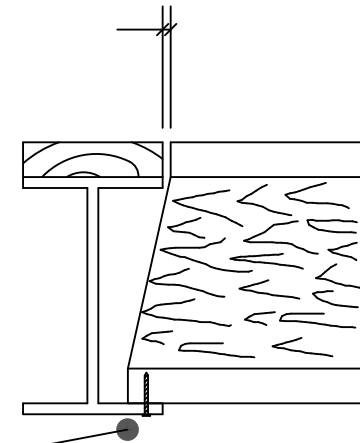
1/4" max.



Wood filler
fixed to
beam

Steel
beam

Blocking fixed
to beam
recommended



STEEL BEAM BOTTOM FLANGE BEARING

HANGER NOT REQUIRED

* PL Premium glue

DETAIL No.14VP