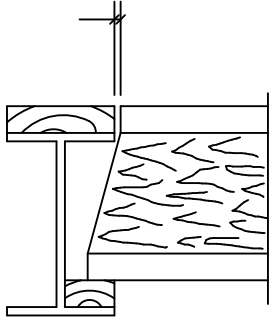
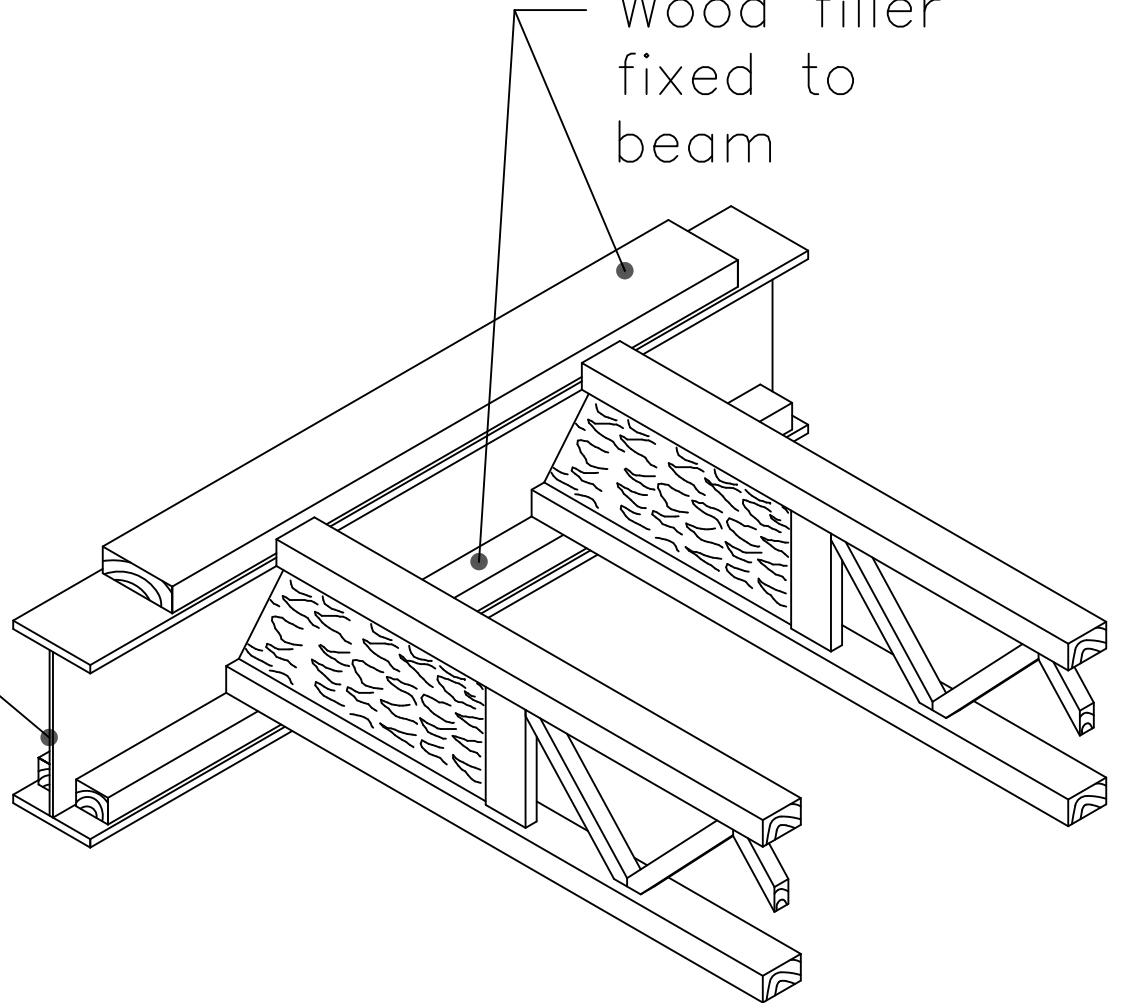


1/4" max.



Wood filler
fixed to
beam

Steel
beam



STEEL BEAM BOTTOM FLANGE BEARING
HANGER NOT REQUIRED

DETAIL No.14P