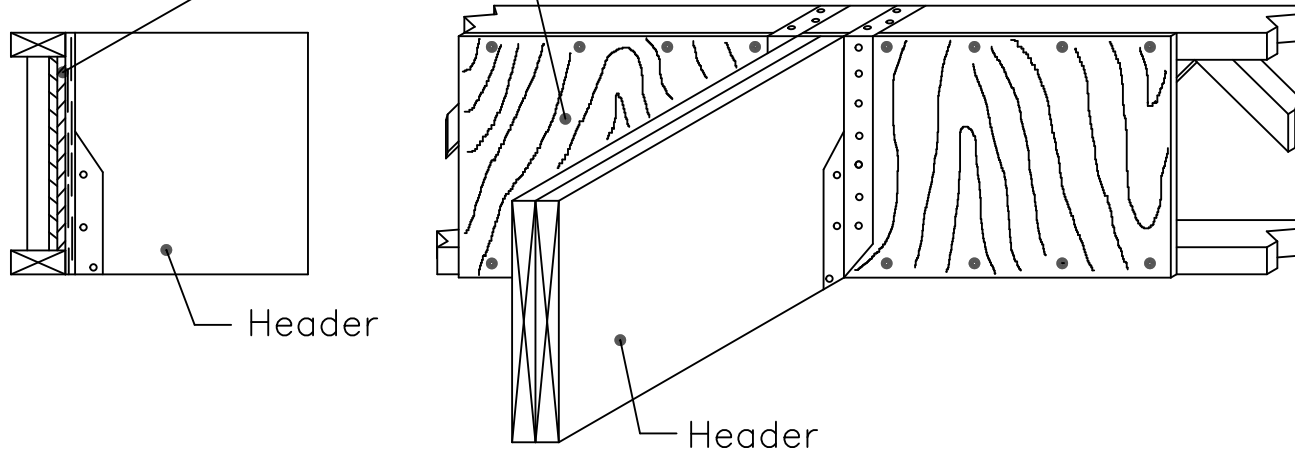


Reinforcements: need to be analyzed in QuickTools Analyzer to have all material requirements (sizes, quantities, etc.)



REINFORCEMENT UNDER
CONCENTRATED LOAD

DETAIL No.10V11