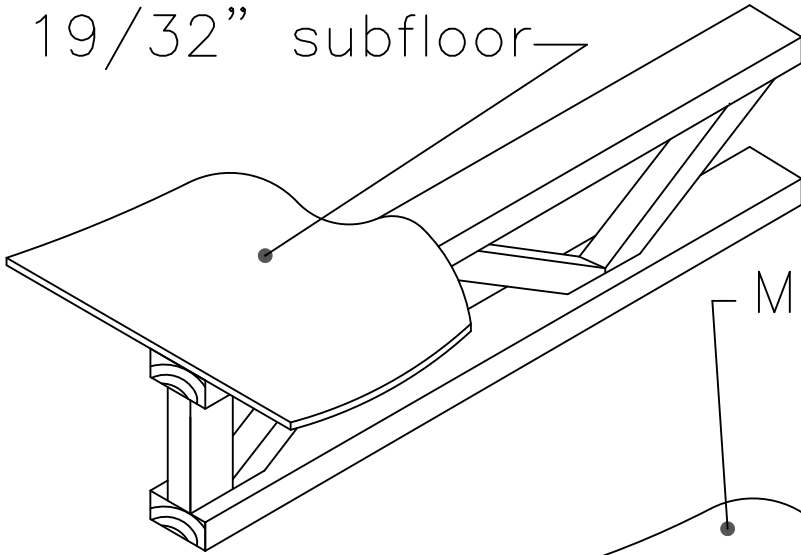
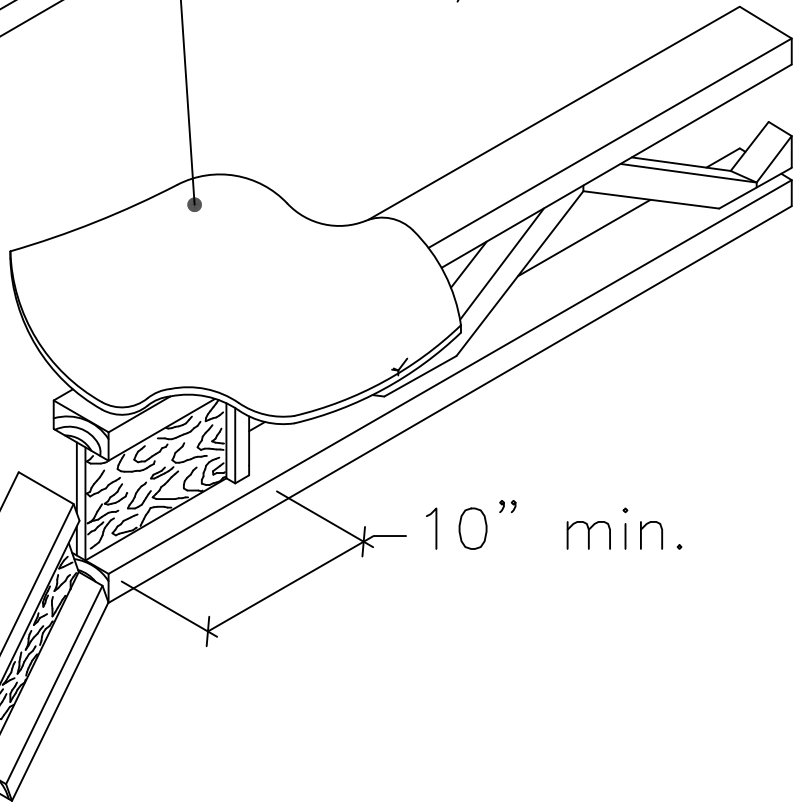


Min. 19/32" subfloor



Min. 19/32" subfloor



1 1/2" min. BEARING
REQUIRED

10" min.

JOIST ADJUSTEMENT TOLERANCE

DETAIL 1